

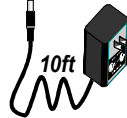


BTZ-42425-2VR

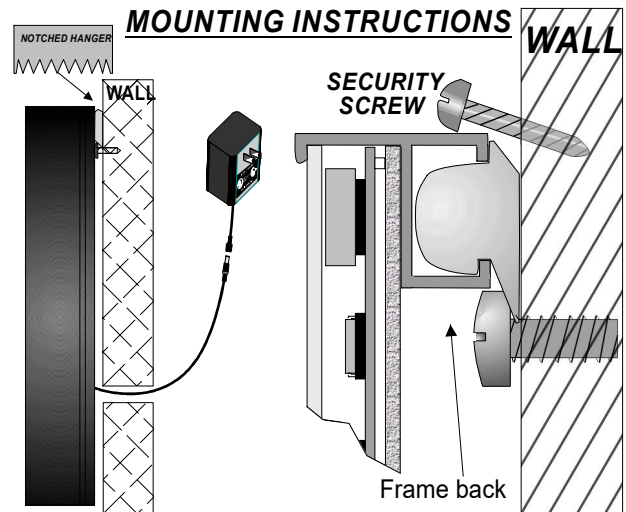
SPECIFICATIONS

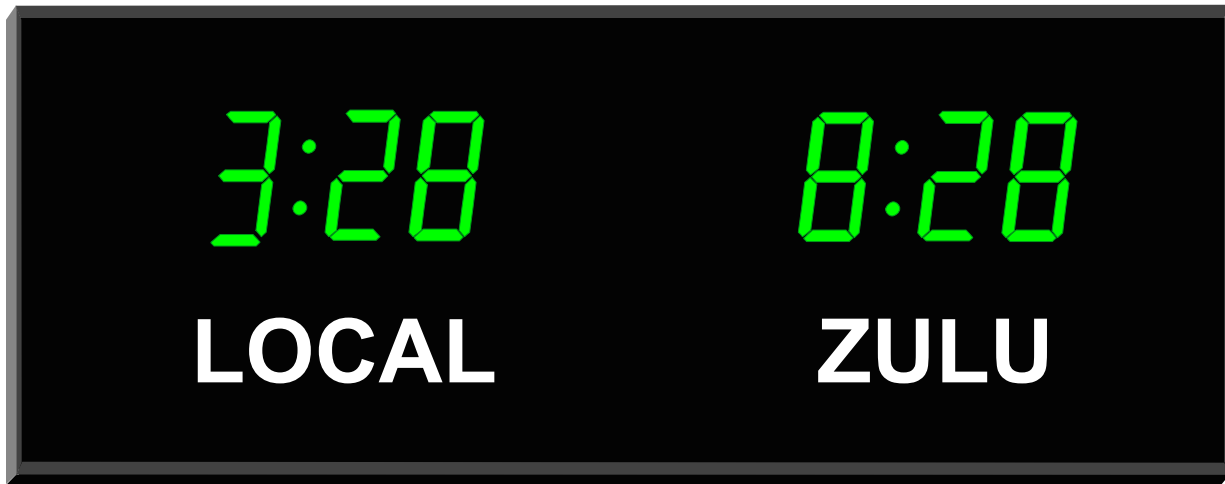
- TYPE:** ----- DIGITAL
 - DISPLAY:** ----- 4-DIGIT, 7 SEGMENT RED SUPER BRIGHT LED
 - CHARACTER HEIGHT:** ----- 2.5" (63.5 mm) HR/MIN
 - VISIBILITY:** ----- 150 Ft. (45.72 METERS)
 - POWER REQUIREMENTS:** 100-240V 50~60 Hz (12vdc Switching Supply)
 - FRAME:** ----- ALUMINUM (BLACK ANODIZED FINISH)
 - DIMENSIONS:** ----- 7.25" x 24.25" x 1.5"
 - WEIGHT:** ----- 4.5 lbs.
 - OPERATING TEMP.:** ----- -17° TO 190° F
 - HUMIDITY:** ----- 0% TO 95% NON-CONDENSING
 - OPERATING MODE:** ----- SYNCHRONIZED ZONES WITH ONE MASTER SET ZONE.
- AUTOMATIC DAY LIGHT SAVINGS, 31 TIME ZONES, 10yr MEMORY BACKUP WITH 1 SEC a YEAR ACCURACY, NON-GLARE LENS, EYELET AND SAW TOOTH SURFACE MOUNT, INFRARED REMOTE

ALL CLOCKS USE THE DALLAS DS32 SERIES RTC PARTS, AND OUR FIRMWARE CONTROL, TO GET THE ONE SEC A YEAR ACCURACY. **1 SEC A YEAR ACCURATE (TCXO)**



- 12 OR 24 HOUR FORMAT
- NON GLARE LENS
- SUPER BRIGHT LEDS
- CUSTOM LETTERING TO YOUR SPECIFICATION
- ALUMINUM FRAME SURFACE MOUNT OR FLUSH
- 10 YEAR LITHIUM BATTERY BACKUP (Standard)
- AUTOMATIC DAY LIGHT CORRECTION (Standard)
- INFRARED REMOTE CONTROL (Standard)
- ONE SEC A YEAR ACCURACY (TCXO) (Standard)



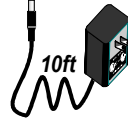


BTZ-42425-2VG

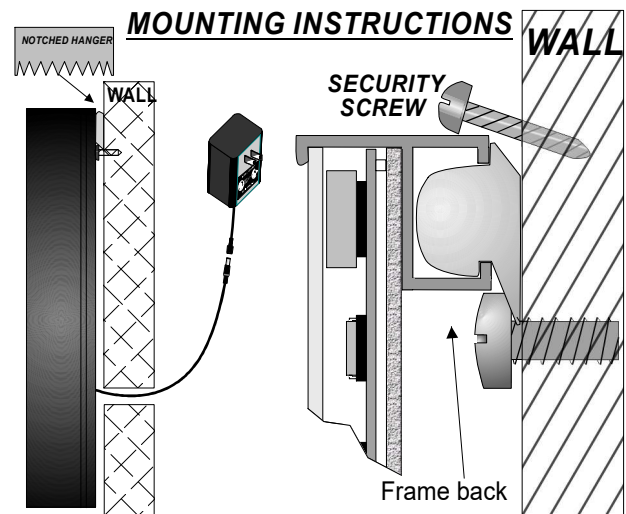
SPECIFICATIONS

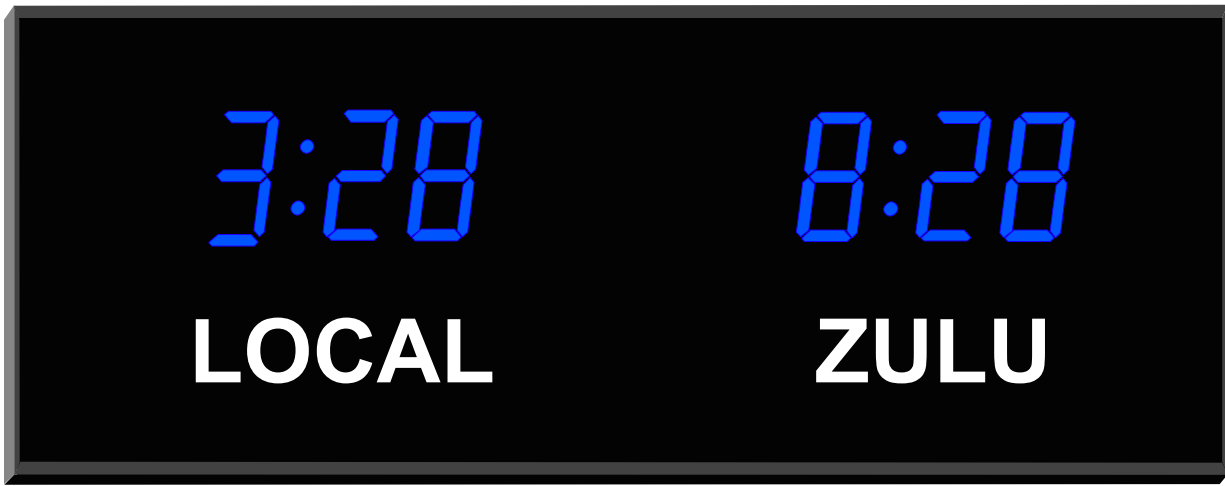
- TYPE:** ----- DIGITAL
 - DISPLAY:** ----- 4-DIGIT, 7 SEGMENT GREEN SUPER BRIGHT LED
 - CHARACTER HEIGHT:** ----- 2.5" (63.5 mm) HR/MIN
 - VISIBILITY:** ----- 150 Ft. (45.72 METERS)
 - POWER REQUIREMENTS:** 100-240V 50~60 Hz (12vdc Switching Supply)
 - FRAME:** ----- ALUMINUM (BLACK ANODIZED FINISH)
 - DIMENSIONS:** ----- 7.25" x 24.25" x 1.5"
 - WEIGHT:** ----- 4.5 lbs.
 - OPERATING TEMP.:** ----- -17° TO 190° F
 - HUMIDITY:** ----- 0% TO 95% NON-CONDENSING
 - OPERATING MODE:** ----- SYNCHRONIZED ZONES WITH ONE MASTER SET ZONE.
- AUTOMATIC DAY LIGHT SAVINGS, 31 TIME ZONES, 10yr MEMORY BACKUP WITH 1 SEC a YEAR ACCURACY, NON-GLARE LENS, EYELET AND SAW TOOTH SURFACE MOUNT, INFRARED REMOTE

ALL CLOCKS USE THE DALLAS DS32 SERIES RTC PARTS, AND OUR FIRMWARE CONTROL, TO GET THE ONE SEC A YEAR ACCURACY. **1 SEC A YEAR ACCURATE (TCXO)**



- 12 OR 24 HOUR FORMAT
- NON GLARE LENS
- SUPER BRIGHT LEDS
- CUSTOM LETTERING TO YOUR SPECIFICATION
- ALUMINUM FRAME SURFACE MOUNT OR FLUSH
- 10 YEAR LITHIUM BATTERY BACKUP (Standard)
- AUTOMATIC DAY LIGHT CORRECTION (Standard)
- INFRARED REMOTE CONTROL (Standard)
- ONE SEC A YEAR ACCURACY (TCXO) (Standard)



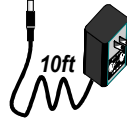


BTZ-42425-2VB

SPECIFICATIONS

- TYPE:** ----- DIGITAL
 - DISPLAY:** ----- 4-DIGIT, 7 SEGMENT BLUE SUPER BRIGHT LED
 - CHARACTER HEIGHT:** ----- 2.5" (63.5 mm) HR/MIN
 - VISIBILITY:** ----- 150 Ft. (45.72 METERS)
 - POWER REQUIREMENTS:** 100-240V 50~60 Hz (12vdc Switching Supply)
 - FRAME:** ----- ALUMINUM (BLACK ANODIZED FINISH)
 - DIMENSIONS:** ----- 7.25" x 24.25" x 1.5"
 - WEIGHT:** ----- 4.5 lbs.
 - OPERATING TEMP.:** ----- -17° TO 190° F
 - HUMIDITY:** ----- 0% TO 95% NON-CONDENSING
 - OPERATING MODE:** ----- SYNCHRONIZED ZONES WITH ONE MASTER SET ZONE.
- AUTOMATIC DAY LIGHT SAVINGS, 31 TIME ZONES, 10yr MEMORY BACKUP WITH 1 SEC a YEAR ACCURACY, NON-GLARE LENS, EYELET AND SAW TOOTH SURFACE MOUNT, INFRARED REMOTE

ALL CLOCKS USE THE DALLAS DS32 SERIES RTC PARTS, AND OUR FIRMWARE CONTROL, TO GET THE ONE SEC A YEAR ACCURACY. **1 SEC A YEAR ACCURATE (TCXO)**



- 12 OR 24 HOUR FORMAT
- NON GLARE LENS
- SUPER BRIGHT LEDS
- CUSTOM LETTERING TO YOUR SPECIFICATION
- ALUMINUM FRAME SURFACE MOUNT OR FLUSH
- 10 YEAR LITHIUM BATTERY BACKUP (Standard)
- AUTOMATIC DAY LIGHT CORRECTION (Standard)
- INFRARED REMOTE CONTROL (Standard)
- ONE SEC A YEAR ACCURACY (TCXO) (Standard)

