



# BTZ-42425-4ERR

## SPECIFICATIONS

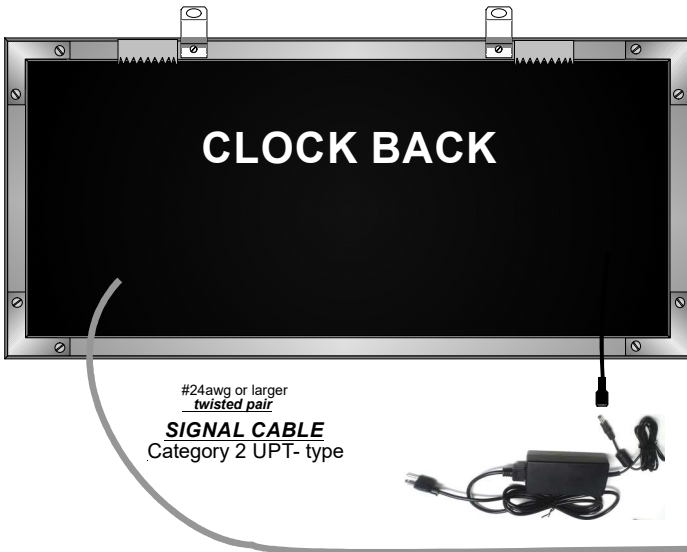
DIGIT SIZE	NUMBER OF ZONES	ELECTRONIC LETTERING	TIME COLOR	LOCATION COLOR
------------	-----------------	----------------------	------------	----------------

- TYPE:** ----- DIGITAL and ALPHANUMERIC  
**DISPLAY:** ----- 4-DIGIT, 7 seg. **TIME** in **RED** and 5x7 Dot-Matrix 15 Char. **LOCATION** in **RED**  
**CHARACTER HEIGHT:** ----- 2.5" (63.5mm) HR / MIN 1.2" (30.48mm) LOCATION  
**VISIBILITY:** ----- 85 Ft. (25.90 METERS)  
**POWER REQUIREMENTS:** ----- 100-240V 47~63 Hz (**12vdc SWITCHING POWER SUPPLY**).  
**FRAME:** ----- ALUMINUM (BLACK ANODIZED FINISH OR SILVER)  
**DIMENSIONS:** ----- 8.25" x 64.25" x 1.5"  
**WEIGHT:** ----- 11 lbs.  
**OPERATING TEMP.:** ----- -17° TO 190° F  
**HUMIDITY:** ----- 0% TO 95% NON-CONDENSING  
**OPERATING MODE:** ----- AUTOMATIC DAY LIGHT SAVINGS, 31 TIME ZONES, 10yr BACKUP WITH 1sec a YEAR ACCURACY, NON-GLARE LENS, EYELET AND SAW TOOTH SURFACE MOUNT, PC INTERFACE WITH DDS TimeNet SOFTWARE AND RS232/DB-9 CABLE

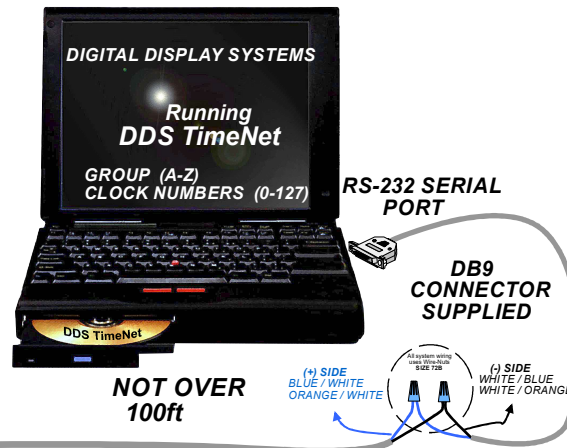
**1 SEC A YEAR ACCURATE (TCXO)\***



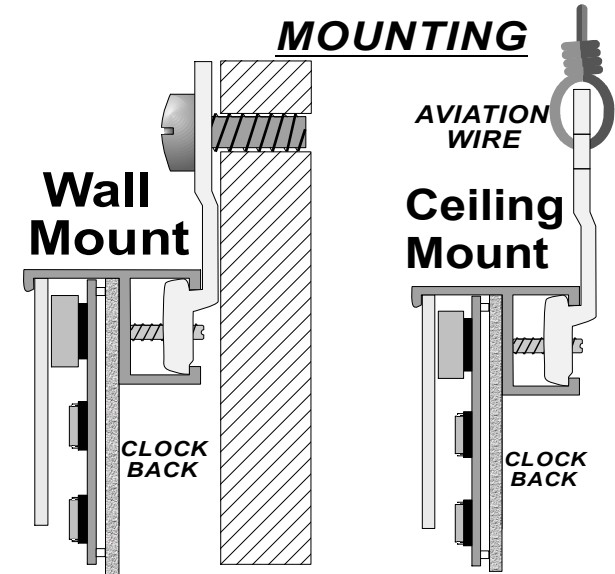
\* May vary based on external temperatures

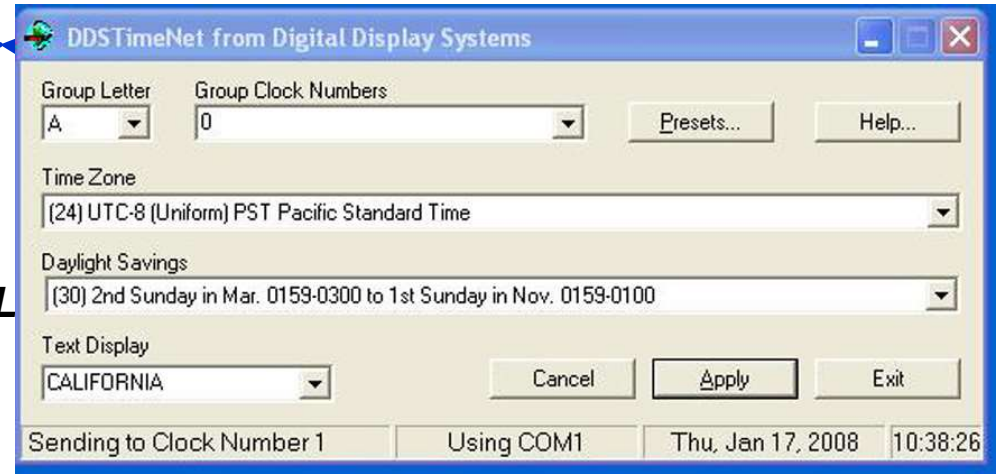


**THE PC IS USED TO SET THE LOCATION DISPLAY AND TIME. THE CLOCK CAN RUN ON ITS OWN WITHOUT THE PC.**



## MOUNTING





**RS-232 SERIAL  
PORT  
DB9  
CONNECTOR  
SUPPLIED**

**RS-232  
NOT OVER  
100ft**

(+) SIDE  
MATCH COLORS  
SOLID TO SOLID

For all system wiring  
uses Wire-Nuts  
SIZE 72B

(-) SIDE  
MATCH COLORS  
STRIPE TO STRIPE

**VISIBILITY CHART:**

0.7" DIGIT:	30 FT	(9.144 Meters)
1.2" DIGIT:	50 FT	(15.24 Meters)
1.8" DIGIT:	75 FT	(22.86 Meters)
2.0" DIGIT:	90 FT	(27.432 Meters)
2.5" DIGIT:	125 FT	(38.10 Meters)
4.0" DIGIT:	225 FT	(68.58 Meters)
7.0" DIGIT:	500 FT	(152.4 Meters)

**GROUP CLOCK NUMBERS**

