



DTZ-42420-6EBR-DACR-1012-6

SPECIFICATIONS

DOT MATRIX STYLE	DIGIT SIZE	NUMBER OF ZONES	ELECTRONIC LETTERING	TIME COLOR	LOCATION COLOR	CALENDAR DISPLAY	COLOR	DATE PER ZONE
------------------	------------	-----------------	----------------------	------------	----------------	------------------	-------	---------------

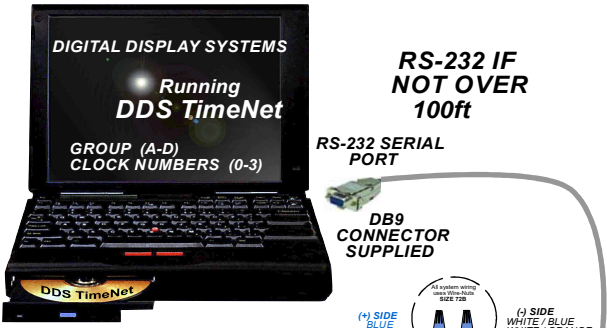
TYPE: ----- DIGITAL and ALPHANUMERIC in *Red, Yellow, Green, or Blue*
DISPLAY: ----- 5x7 Dot-Matrix 4 Digit **TIME** in **BLUE** and 15 Char. **LOCATION** in **RED** and 10 Char. **DATE** in **RED**
CHARACTER HEIGHT: ----- 2" (50.8 mm) HR/MIN 1.2"(25.4mm) LOCATION/DATE
VISIBILITY: ----- 75 Ft. (22.86 METERS)
POWER REQUIREMENTS: --- 100-240V 50~60Hz (*12vdc SWITCHING POWER SUPPLY*).
FRAME: ----- ALUMINUM (**BLACK ANODIZED FINISH**)
DIMENSIONS: ----- 10.25" x 96.25" x 1.5"
WEIGHT: ----- 24 lbs.
OPERATING TEMP.: ----- -17° TO 190° F
HUMIDITY: ----- 0% TO 95% NON-CONDENSING
OPERATING MODE: ----- AUTOMATIC DAY LIGHT SAVINGS, 31TIME ZONES, 10yr BACKUP WITH 1sec A YEAR ACCURACY, EYELET AND SAW TOOTH SURFACE MOUNT, PC INTERFACE WITH DDS Timenet 2.1 Software



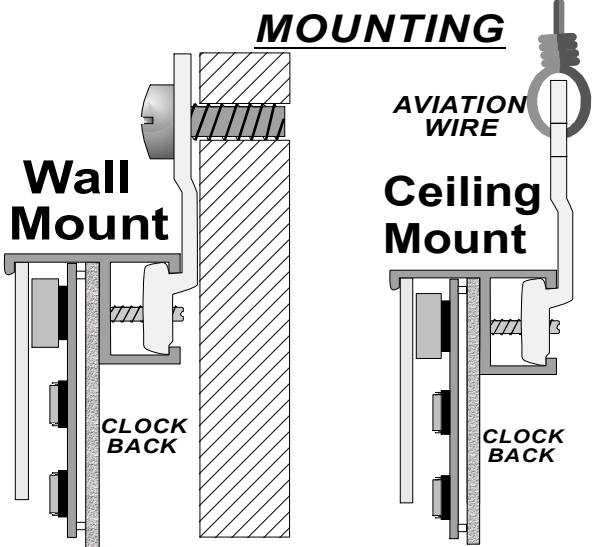
1 SEC A YEAR ACCURATE (TCXO)

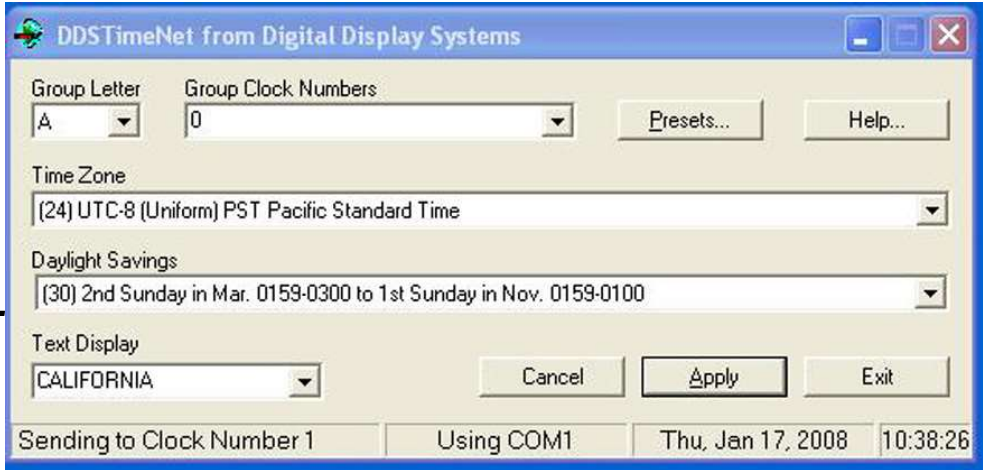


THE PC IS USED TO SET THE LOCATION DISPLAY AND TIME. THE CLOCK CAN RUN ON ITS OWN WITHOUT THE PC.

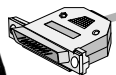


- 12 OR 24 HOUR FORMAT
- NON GLARE LENS
- SUPER BRIGHT LEDs
- ALUMINUM FRAME
- 10 YEAR LITHIUM BATTERY BACKUP (*Standard*)
- AUTOMATIC DAY LIGHT CORRECTION (*Standard*)
- ONE SEC A YEAR ACCURACY (TCXO) (*Standard*)
- EXTERNAL TRANSFORMER FOR SAFETY AND EASE OF MAINTENANCE.**





RS-232 SERIAL PORT
DB9 CONNECTOR SUPPLIED



RS-232 NOT OVER 100ft

(+) SIDE
 BLUE / WHITE
 ORANGE / WHITE

For all system wiring uses Wire-Nuts SIZE 72B

(-) SIDE
 WHITE / BLUE
 WHITE / ORANGE



1 SEC A YEAR ACCURATE (TCXO)

WHEN ON THE PC THE PC TIME IS UP DATING THE TIME ON THE TIME ZONE CLOCKS. WHEN THE PC IS OFF THE (0) ZONE IS UPDATING THE TIME AND THE COLON IS FLASHING ON ZONE (0).

GROUP CLOCK NUMBERS

